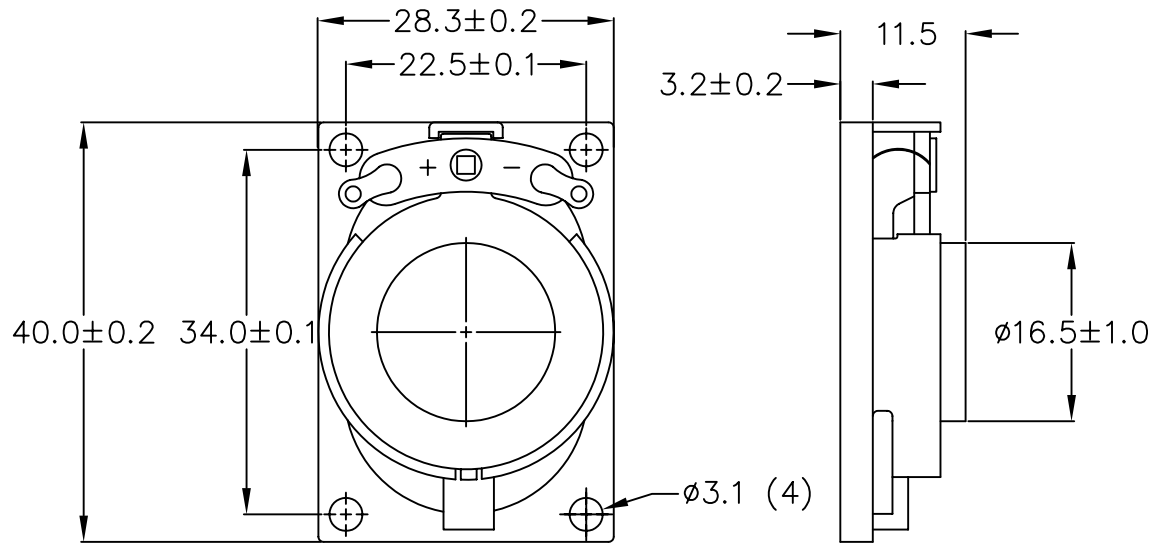


THIS DOCUMENT CONTAINS DATA PROPRIETARY TO PROJECTS UNLIMITED, INC. ANY USE OR REPRODUCTION, IN ANY FORM, WITHOUT PRIOR WRITTEN PERMISSION OF PROJECTS UNLIMITED, INC. IS PROHIBITED.
© 2003, Projects Unlimited Inc.

SPECIFICATIONS

PARAMETERS	VALUES	UNITS
RATED INPUT POWER	2	W
MAX INPUT POWER	4	W
IMPEDANCE	8±15%	OHM
OUTPUT SPL @ 1.0W/.5 m (AT 1.0, 1.2, 1.5, 2.0 kHz)	84±3	dB
DISTORTION	5%	-
RESONANT FREQUENCY	380±20%	Hz
FREQUENCY RANGE	380 ~ 20,000	Hz
HOUSING MATERIAL	ABS	-
CONE MATERIAL	PAPER	-
MAGNET MATERIAL	Nd-Fe-B	-
OPERATING TEMPERATURE	-20 ~ +60	°C
WEIGHT	12	grams

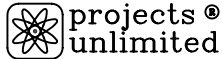
REVISIONS			
LTR	DESCRIPTION	DATE	APPROVED
-	RELEASED FROM ENGINEERING	9/25/06	



NOTES:

1. ALL DIMENSIONS ARE IN MILLIMETERS.
2. SPECIFICATION SUBJECT TO CHANGE OR WITHDRAWAL WITHOUT NOTICE.
3. THIS PART IS RoHS 2002/95/EC COMPLIANT.

FILE NAME
AS04008PS-4W-R.DWG

UNLESS OTHERWISE SPECIFIED: DIMENSIONS ARE IN MILLIMETERS, TOLERANCES ARE ±0.5 AND ANGLES ARE ±3°.		 projects [®] unlimited Dayton, Ohio	
APPROVALS		DATE	
DRAWN	J.D.	9/06	
CHECKED	B.R.	9/06	
APPROVED	R.W.	9/06	
DO NOT SCALE DRAWING		SIZE A	DRAWING NO. AS04008PS-4W-R
		SCALE: N.T.S.	SHEET 1 OF 1

SPEAKER